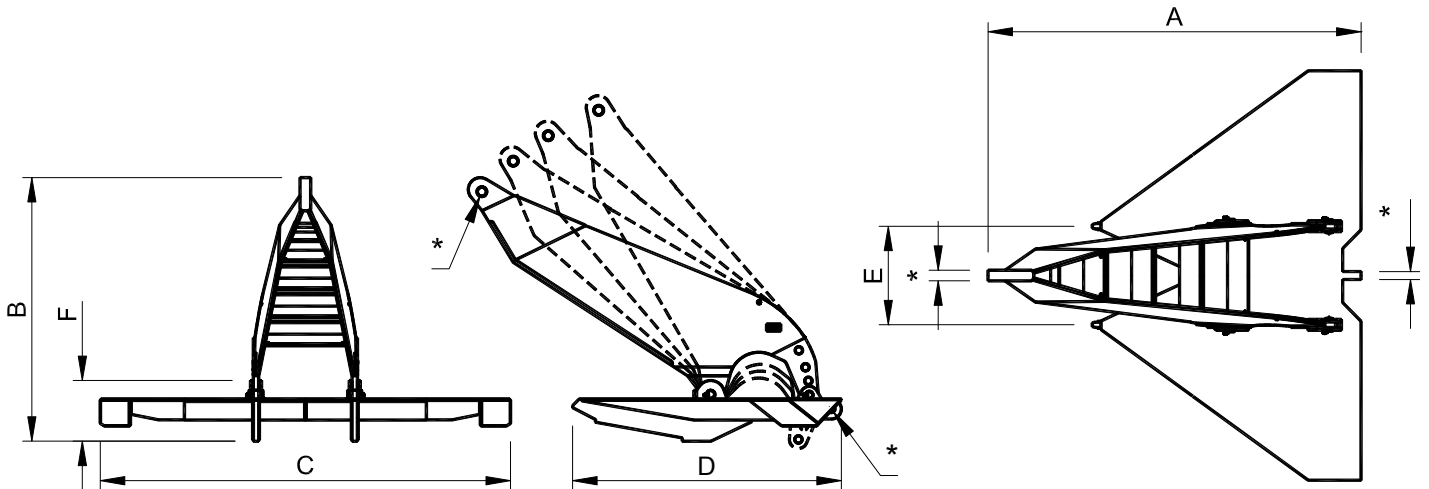


**BRUCE ANCHOR**

# BRUCE® FFTS GP ANCHOR

The superior high holding power general purpose anchor

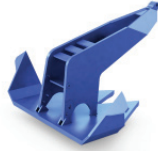
- ◆ Greater holding capacity from increased fluke area
- ◆ Choice of four fluke angles to suit most soil conditions
- ◆ Snag free negotiation of stern rollers
- ◆ Easy deck handling
- ◆ Easy breakout using chaser or rear recovery lug
- ◆ Significant reduction in cost per tonne of holding capacity
- ◆ Dimensions marked \* can be varied to suit required shackle sizes



## Anchor Sizes Table

The table gives nominal dimensions of certain sizes but since the anchors are fabricated from steel plate they can be supplied in any size to suit customer requirements, from 250kg up to 60,000kg

Example Sizes	Nominal Dimensions ( in mm)					
Weight (kg)	A	B	C	D	E	F
500	1945	1377	2139	1400	514	318
1500	2827	2002	3110	2036	748	462
3000	3563	2524	3920	2567	943	582
5000	4161	2946	4577	2997	1101	680
9000	5062	3585	5569	3646	1339	827
10000	5265	3728	5791	3792	1393	860
12000	5609	3972	6170	4040	1484	916
15000	6110	4327	6721	4401	1617	998
18000	6385	4521	7023	4599	1689	1043
20000	6632	4696	7295	4777	1755	1083
30000	7616	5394	8378	5486	2015	1244
40000	8323	5894	9156	5995	2202	1359



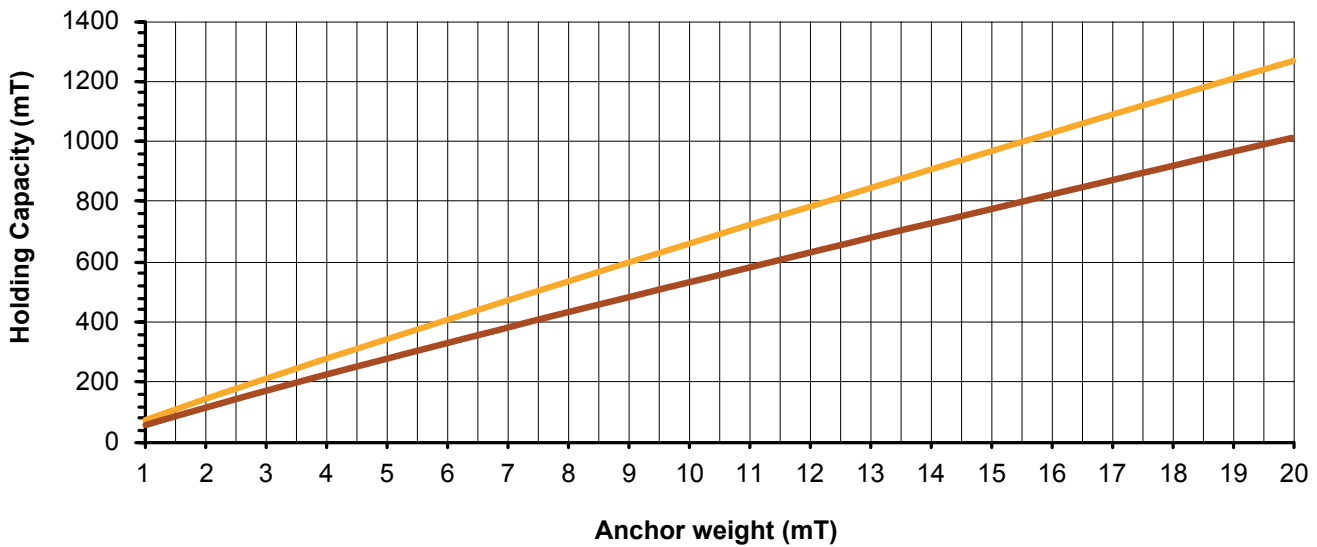
**BRUCE ANCHOR**

# BRUCE® FFTS GP ANCHOR

## Anchor Holding Capacity - chain forerunner in sand and soft clay (mud)

Bruce FFTS GP -  $HC(\text{chain/sand}) = 76.15W^{0.94}$  -  $HC(\text{chain/mud}) = 64.92W^{0.92}$

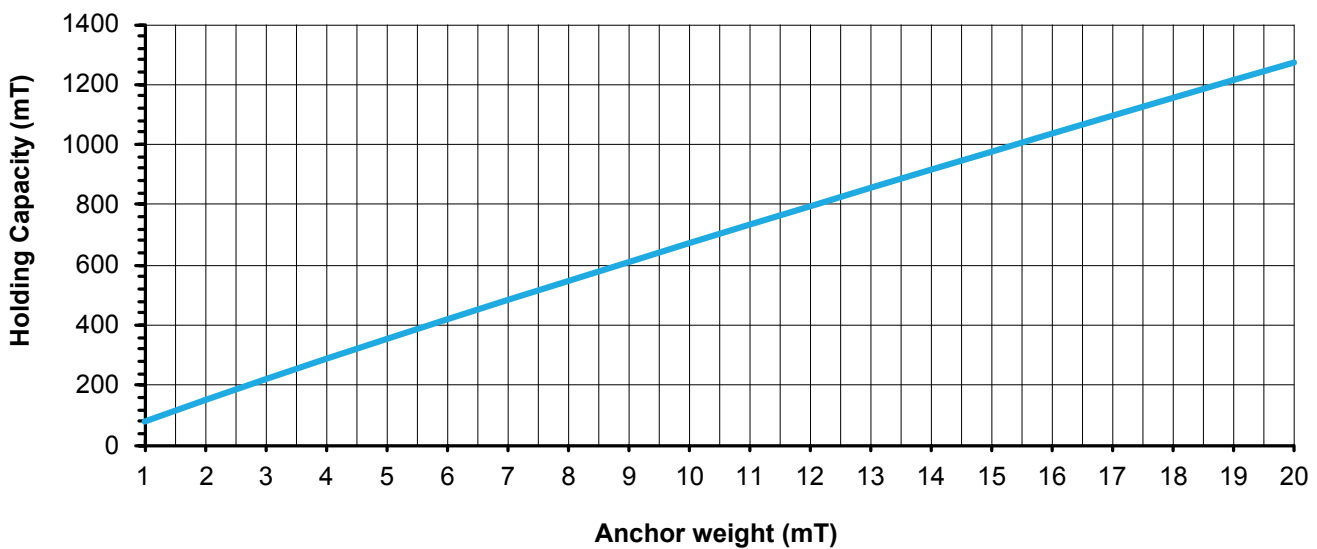
— Bruce FFTS GP chain/sand — Bruce FFTS GP chain/mud



## Anchor Holding Capacity - wire forerunner in soft clay (mud)

Bruce FFTS GP -  $HC(\text{wire/mud}) = 80.70W^{0.92}$

— Bruce FFTS GP wire/mud



Bruce Anchor, Tern Place House, Tern Place, Bridge of Don,  
Aberdeen, AB23 8JX  
Tel: **+44 7624 338 400**  
Email: [sales@bruceanchor.co.uk](mailto:sales@bruceanchor.co.uk) Website: [www.bruceanchor.co.uk](http://www.bruceanchor.co.uk)