

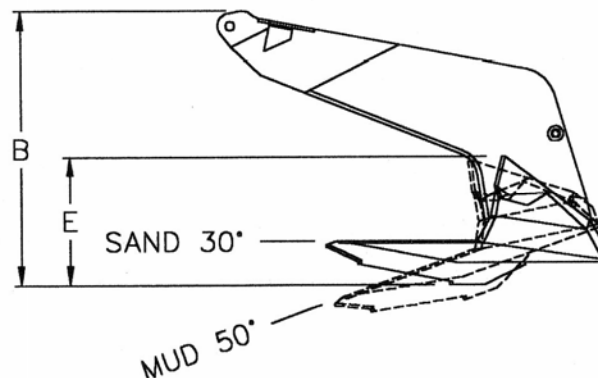
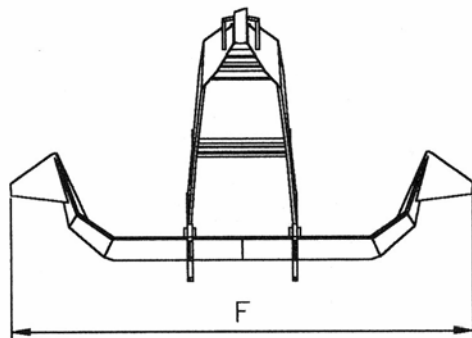
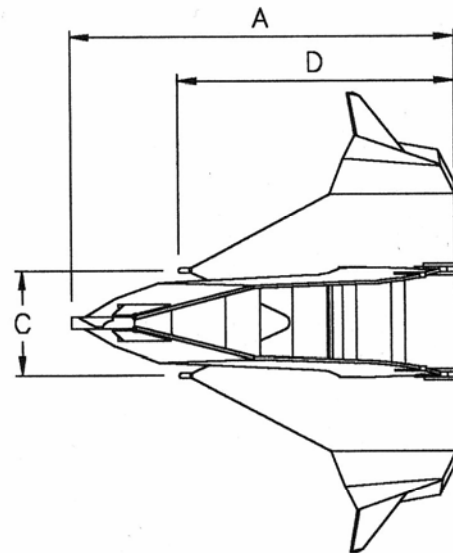
THE BRUCE[®] FFTS Mk 4 ANCHOR

(PATENTED)



Proven anchor technology for MODUs

- ★ Superior holding performance in all seabeds.
- ★ Complete self-righting ability, even if it lands upside down.
- ★ Choice of fluke angles for optimum performance in hard and soft bottoms.
- ★ Simplified fluke angle adjustment by moving two plain pins, no welding required.
- ★ Disassembly into two parts for easier, lower cost shipping.
- ★ Approved by A.B.S., B.V., D.N.V., L.R.S. and R.I.N.A. as a general purpose high holding power anchor.



The table gives nominal dimensions of certain sizes but since the anchors are fabricated from steel plate they can be supplied in any size to suit customer requirements, from 250kg up to 60,000 kg.

Weight kg	NOMINAL DIMENSIONS (in mm)					
	A	B	C	D	E	F
500	1827	1280	500	1303	606	2188
1500	2648	1854	723	1888	878	3172
3000	3409	2388	931	2431	1131	4085
5000	4029	2822	1100	2873	1336	4828
9000	4846	3394	1324	3456	1607	5806
10000	5087	3563	1390	3628	1687	6095
12000	5437	3808	1486	3878	1803	6514
15000	5728	4012	1566	4085	1900	6864
18000	6129	4292	1674	4371	2032	7343
20000	6319	4426	1726	4507	2096	7571
30000	7225	5060	1974	5153	2396	8656
40000	8034	5627	2195	5730	2664	9626

THE BRUCE[®] FFTS MK 4 ANCHOR



HOLDING CAPACITY

$$HC_{(\text{chain/sand})} = 46.86W^{0.94} \quad HC_{(\text{chain/mud})} = 39.95W^{0.92} \quad HC_{(\text{wire/mud})} = 49.66W^{0.92}$$

