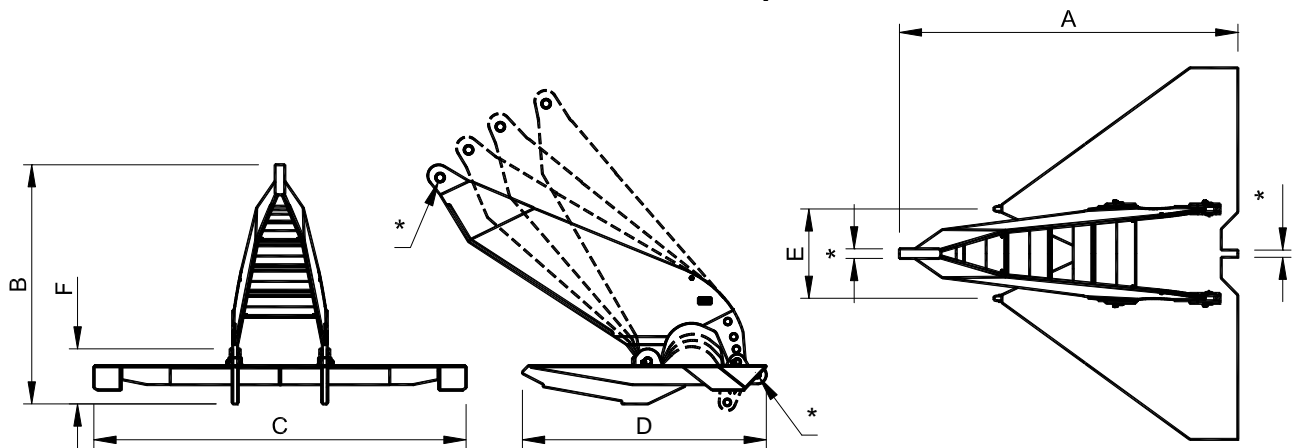


# BRUCE GP (General Purpose) ANCHOR



## THE HIGH HOLDING POWER ANCHOR FOR MODU AND PERMANENT MOORING APPLICATIONS

- ❑ Greater holding capacity from increased fluke area
- ❑ Choice of four fluke angles to suit most soil conditions
- ❑ Snag free negotiation of stern rollers
- ❑ Easy deck handling
- ❑ Easy breakout using chaser or rear recovery lug
- ❑ Significant reduction in cost per tonne of holding capacity
- ❑ Dimensions marked \* can be varied to suit required shackle sizes



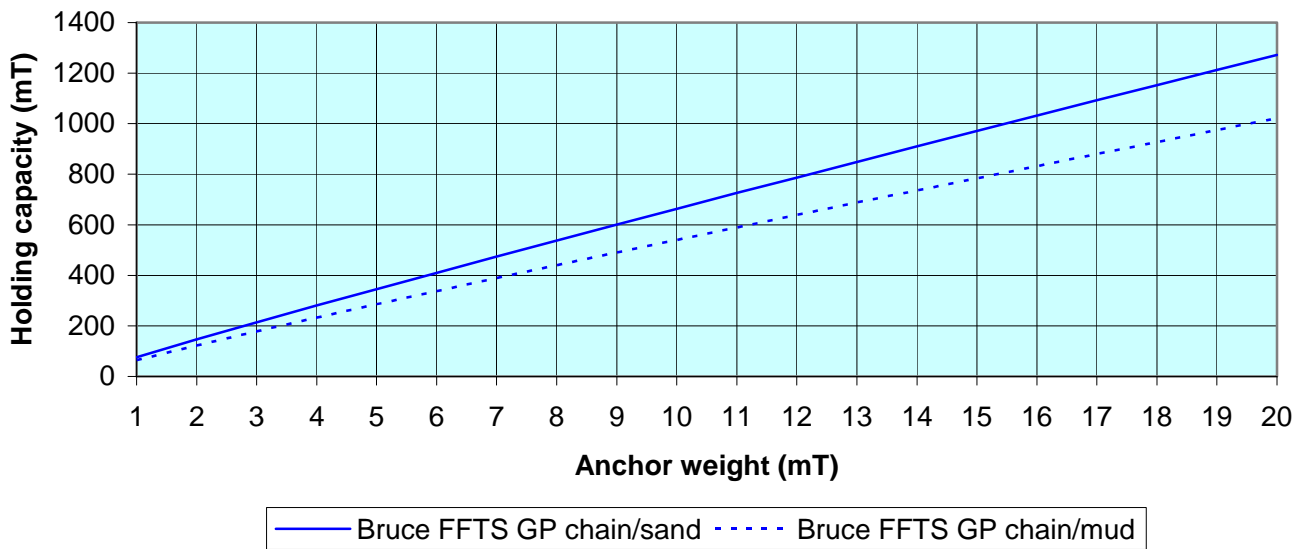
EXAMPLE SIZES	NOMINAL DIMENSIONS (in mm)					
Weight (kg)	A	B	C	D	E	F
10000	5278	3738	5806	3802	1397	861
12000	5609	3972	6170	4040	1484	916
15000	6109	4327	6721	4401	1617	995
18000	6493	4598	7143	4677	1718	1059
20000	6632	4697	7295	4777	1755	1083

# BRUCE GP (General Purpose) ANCHOR



## Anchor Holding Capacity - chain forerunner in sand and soft clay (mud)

$$\text{Bruce FFTS GP} - \text{HC}_{(\text{chain/sand})} = 76.15W^{0.94} - \text{HC}_{(\text{chain/mud})} = 64.92W^{0.92}$$



## Anchor Holding Capacity - wire forerunner in soft clay (mud)

$$\text{Bruce FFTS GP anchor HC}_{(\text{wire/mud})} = 80.70W^{0.92}$$

